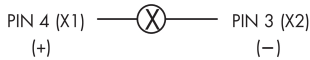
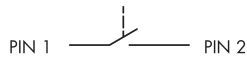
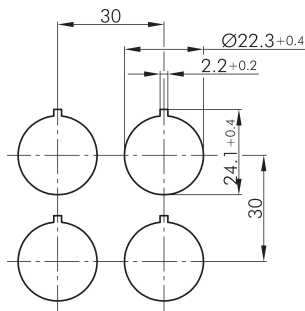
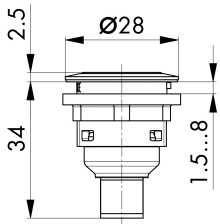




**Pushbutton with ring illumination and 4-pole M12 connector
STLRWI_C005**

Description: with integrated 4-pole M12 connector, A coded incl. lens and white LED



0 1 2

PIN 1 / PIN 2



Category:	Pushbuttons
Series:	SHORTRON® connect
Panel cut-out:	Ø 22.3 mm
Mounting depth:	33.7 mm
Protection class:	II (protective insulation)
Degree of protection:	IP65 / IP67
Travel:	2.3 mm (pushbutton)
Illumination:	yes
With labelling option:	no
Contact equipment:	1 NO
Connection type:	4-pole M12 connector (integrated), A coded
Front bezel	silver-coloured
Illuminated ring	white
Mechanical life:	1 million switching cycles
Electrical life:	1 million switching cycles
Storage temperature:	-40°C ... 80°C
Positive opening:	
Operating temperature:	-25°C ... 70°C
Shape:	round
Contact material:	AgNi
Lamp socket:	none, with integrated 3 mm LED white